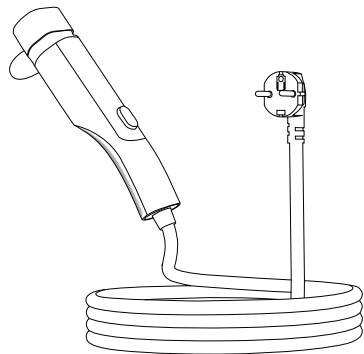


QD10 New Energy Electric Vehicle Portable Charger Screen Display Version Instruction Manual



Before using the product, please read the user manual carefully.
Thank you for using the portable EV charger!

If you encounter any issues during use, please contact the customer service of the purchasing channel. Professional personnel will answer your questions. Due to the continuous improvement of products, this material is subject to change based on actual product specifications. Our company reserves the right to update the product.

1. safety warning

- 1.1. The 3.5KW version of this product uses a 16A plug, which can only be used in outlets that meet the national standard and have a wiring diameter of $\geq 2.5\text{mm}^2$. Using an incompatible or aged outlet or cable may lead to short circuits and the risk of fire due to overheating.
- 1.2. The 7KW version of this product uses a dedicated 32A plug that can only be inserted into a matching 32A grounded wall socket for grounding use. The wiring diameter of the 32A socket must be $\geq 6\text{mm}^2$. Use of non-compliant sockets or cables, or those that are old and worn, may lead to the risk of short circuits and burning, which could cause fires;
- 1.3. When using a 10A socket, it is recommended to adjust the charger to an 8A current, and it is strictly forbidden to exceed 10A! When using a 16A socket, it is recommended to adjust the gun to a 13A current, and it is strictly forbidden to exceed 16A!
Warning: Exceeding the maximum current value of the corresponding socket can lead to short circuits, erosion, and even fires! The current must be set strictly according to the specifications of the socket.
- 1.4. The working environment range of the product is -20°C to $+50^{\circ}\text{C}$, do not operate it at temperatures beyond this range.
- 1.5. When charging with this product, the gun head and vehicle interface must be coupled in place. If the first row of the digital tube displays CC, it means that the charger has been connected to the vehicle.
- 1.6. When charging this product, if there are children nearby, it is recommended to reasonably restrain the children and strictly

prohibit them from operating or pulling on the product, or playing around near the product.

- 1.7. When charging with this product, it is forbidden to charge the control box in an empty state to prevent poor contact and burning of the 230V power plug.
- 1.8. This product is strictly prohibited from use after being soaked in water. When charging, try to avoid exposing the charger and control box to rain to prevent unnecessary losses.
- 1.9. Do not touch metal conductors when using the working process to withstand high currents to prevent electric shock accidents.
- 1.10. The product casing is made of thermoplastic material; avoid external force impact to prevent affecting its use.
- 1.11. Try to avoid winding the power cord during charging and try to prevent friction between the power cord and the ground that may damage the cable
- 1.12. If the charger cable is damaged or the gun shell is cracked, it is strictly forbidden to use and should be contacted for after-sales service.
- 1.13. When charging begins, first plug in the power cord to connect to the power source and then insert the gun head to connect to the vehicle end. After charging is complete, first unplug the gun head from the vehicle end and then unplug the power cord from the power source end.
- 1.14. Do not place the device in a car or enclosed space during charging. Do not allow the device to be close to objects that generate high temperatures.

This product can be used both indoors and outdoors.

2. Product Overview

This product is designed according to IEC 61851. The product mainly consists of a charger, plug, cable, etc. It is a portable electric vehicle charging device that allows car owners to safely and conveniently charge pure electric vehicles or plug-in hybrid vehicles anywhere, through the standard household power interface. The product should be used in an environment free from corrosive gases such as acids and alkalis to avoid affecting its performance. It is recommended to avoid direct rain or use in environments with excessively high temperatures, and the casing should be protected against damage as much as possible.



▲The illustrations are for reference only;
please refer to the actual product.

3. Product Parameters

No.	Technical indicator	parameter	
1	Product Patent	202530215294.9	
2	Model	QD10	QD10
3	Rated input/output	AC 230V \pm 10%	AC 230V \pm 10%
4	Rated Input/Output	16A Max	32A Max
5	rated capacity	3.5KW Max	7KW Max
6	Protection	Low voltage protection, high voltage protection, overcurrent protection, short circuit protection, overload protection, leakage protection, low temperature protection and high temperature protection, lightning protection, flame retardant protection, CP abnormal protection	
7	Working Environment Temp./Humidity	-20°C ~ $+50^{\circ}\text{C}$ /5%~95%RH	
8	Altitude	<2000m	
9	Protection	IP55	
10	Cooling method	natural cooling	
11	dimensions	303.6*63.6*71.3mm	
12	Cable length	3M/5M/10M/15M/20M	
13	Standards	IEC 61851	

4. Product Function Description

No.	Function	Description	Display	Remark
1	Display	real-time battery level, duration, current, voltage, temperature		
2	Current adjustment	16v eison: 8A/10A/13A/16A 32v eison: 8A/10A/13A/16A/20A/24A/28A/32A		Press button for 3 seconds to enter current switching
3	Scheduled	0H/1H/2H/4H/6H/8H/10H		Press button for 3 seconds twice to enter scheduled charging
4	Grounding-free	Supports ground-free charging		
5	Plug&Play	Support Plug&Play		
6	Low voltage protection	Input voltage below 89VAC startup protection	E1	Voltage normal recovery charging
7	High voltage protection	Input voltage above 270VAC startup protection	E2	Voltage normal recovery
8	Overcurrent Protection	Overcurrent situation occurred Startup protection	E3	Off charger Deactivate protection
9	Short-circuit protection	Short circuit occurred Protection activated	E3	Off charger Deactivate prote, restart
10	overload protection	Overload occurred. Start protection	E5	Off charger Deactivate prote
11	Low-temperature protection	The host temperature is below -25°C.	E7	-20°C Protection Removed
12	High temperature protection	Host temperature higher than 85°C Protection activated	E8	Below 50°C Protection lifted
13	Meter chip Communication exception	Data communication loss	E9	Return to factory for repair
14	exception protection	Charging failure to commucation with EV startup protection	E10 /EU	Offer Charger Deactivate protection

Note: Some vehicles will not automatically release the protection due to vehicle machine limitations and require power off and restart.

5. Function Description

5.1. Insert the 16A plug of this product into a standard 16A wall socket. The display screen lights up, and the charger is powered normally.

A. Current Switching Instructions / Scheduled Charging Instructions

1. Press button for 3 seconds, the current value will jump around. Click the button to switch the current, select the appropriate current and adjust it to the current current level. Wait for 3 seconds before exiting the settings directly.

16A VEISON:8A/10A/13A/16A。
32A VEISON:8A/10A/13A/16A/20A/24A/26A/28A/32A。


2. After confirming the current wait, press button for 3 seconds to enter the scheduled charging mode, displaying 0.00H. Click the button to switch the delay time between 0/1/2/4/6/8/10 hours. Confirm the current time, wait for 3 seconds, and then directly exit the settings. (Or press and hold the button for 3 seconds twice to enter the scheduled charging mode)

3. Insert the gun into normal charging mode.

NOTE:

- Do not plug in the charger until it is set up.
- The product has a current memory function. If you change the charging environment, please select the appropriate current level again.
- The current set by the charger must be lower than the maximum current value of the socket. It is recommended to adjust the charger to an 8A current, and it is strictly forbidden to exceed 10A! When using a 16A socket, it is recommended to adjust the gun to a 13A current, and it is strictly forbidden to exceed 16A! Otherwise, it may cause short circuits and burnout risks.

B. Normal Charging Instructions


1. For immediate charging, please plug in the charger and connect it to the vehicle end. The charger will normally charge the car, and the display screen icon will light up . The display screen will show real-time battery level, duration, current, voltage, and temperature.

2. After the car is fully charged, the charger stops charging, and the display shows the amount of charge for that session. At this point, the user can remove the charger (some cars require unlocking the gun before it can be removed). The entire charging process is complete.

NOTE:

Do not forcibly remove the charger head during normal charging.

C. Instructions for the operation of charger head illumination

1. Headlight Operation: Press the button twice in a row, and the LED light on the gun head will turn on, with the digital tube displaying the lighting symbol .

2. There are two modes for turning off the gun head lighting:

- Press the button twice in a row, and the LED light at the gun head will turn off, indicating that the lighting symbol on the digital tube is turned off.
- After the CP is successfully inserted, the LED light at the gun head will go out and the digital tube display shows that the lighting symbol is off.

D. Buzzer Sound Description

- A beep sounds when powered on.
- A beep sound is emitted for all valid operations (except LED lighting). A beep sound is emitted when the settings are successfully exited.
- When the CP connection is successful or disconnected, a beep sound will be heard twice.
- The fault code alarm sounds for a long time.

6.PACKING LISTS



Charger *1



storage bag *1



user manual *1



certificate *1

7. Installation Instructions

7.1. This product must be installed by personnel who have received training and are qualified to operate the electrical system.

7.2. Incorrect installation and testing of this product may damage the vehicle's battery, components, or the on-board charger itself. Any damage caused by this is not covered under warranty.

7.3. Please confirm whether the basic equipment meets the requirements before installation: Specialized distribution cables and electricity meters need to be laid and installed at the pre-installation location of this product.

7.4. Do not install this product on rough surfaces or near flammable, explosive, chemical materials and other hazardous items or steam environments.

7.5. Before installation, please ensure that the power supply to the circuit breaker is turned off.

7.6. For this product with single-phase specifications, a 230V single-phase electricity meter must be applied for in advance, and the capacity should not be less than 7kW. The input cable specification must be at least a standard 3-core 6 square cable. If the length of the cable exceeds 100 meters, the cable specification must be increased according to one's own power conditions.

8 Warranty Regulations

1. The product is guaranteed for one year from the date of purchase.
2. During the warranty period, faults that occur under normal use conditions as per the user manual (judged by our company's official staff) will be repaired for free.

3. During the warranty period, if one of the following situations occurs, it must be repaired as a chargeable repair:

- Unable to provide this warranty card and valid purchase voucher.
- Faults and damages caused by incorrect installation, testing, unauthorized disassembly, or human damage.
- Faults and damages caused by incorrect use and improper self-repair.
- Faults and damages caused by transportation, handling, or dropping after purchase.
- Other unavoidable external factors cause malfunctions and damage.
- Damage caused by improper use, such as waterlogging or rainwater entering the equipment, or damage from other solutions.
- Damage caused by using a power other than the specified one, or voltage.

4. The above guarantee is made without any other express or implied warranties (including but not limited to merchantability, fitness for a particular purpose and reasonable adaptation), whether in contract, tort, or otherwise, the company shall not be liable for any special, incidental or consequential damages.